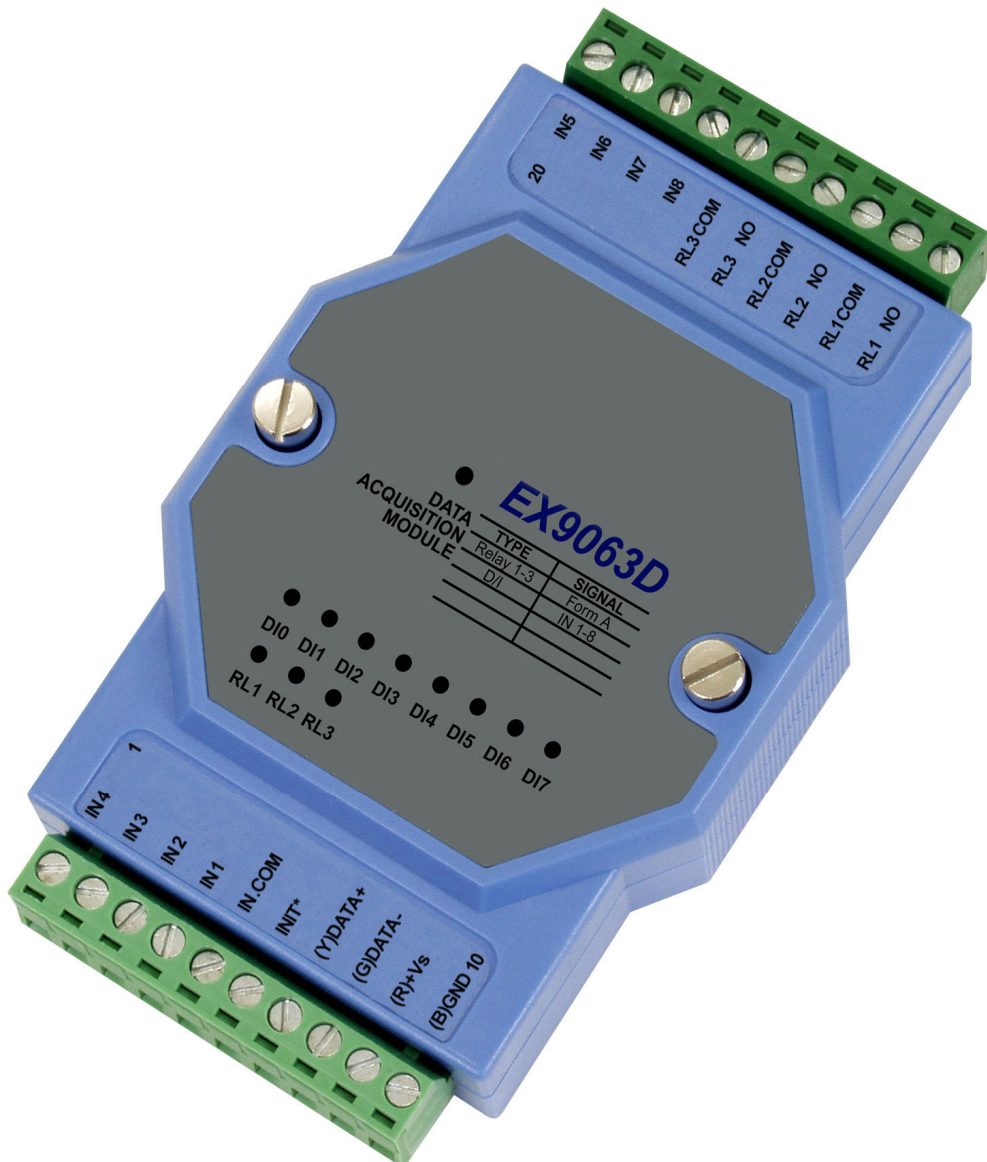


Technical Manual for RT-EX-9063D

Version 1.01



8 x Digital Input / 3 x Relay Output

Introduction

The EX9063D MODBUS I/O Expansion module is a high-quality and low-cost add-on data acquisition device that allows expanding the on-board digital input/output capabilities on X32-based RTCU units almost indefinitely and completely transparent using MODBUS communication protocol.

The EX9063D uses EIA RS-485 - the industry's most widely used bi-directional, balanced transmission line standard. It lets the module transmit and receive data at high data rates over long distances.

The EX9063D can be used to expand the RTCU with additional 8 digital inputs and 3 relay outputs capable of switching 250VAC.

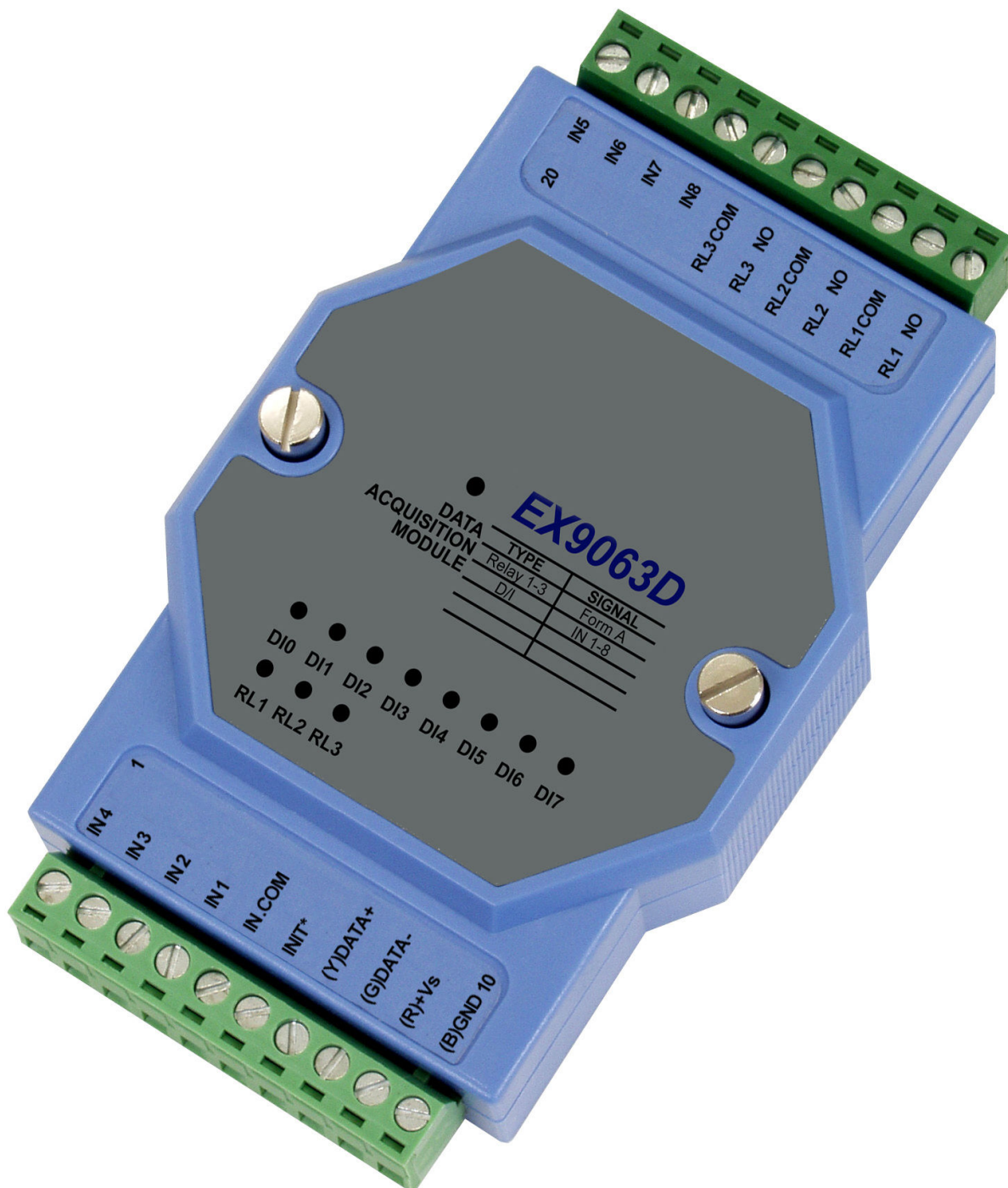
The EX9063D works in a variety of environments and applications, including:

- Factory automation and control
- SCADA applications
- HVAC applications
- Remote measuring, monitoring and control
- Security and alarm systems, etc.

Table of Contents

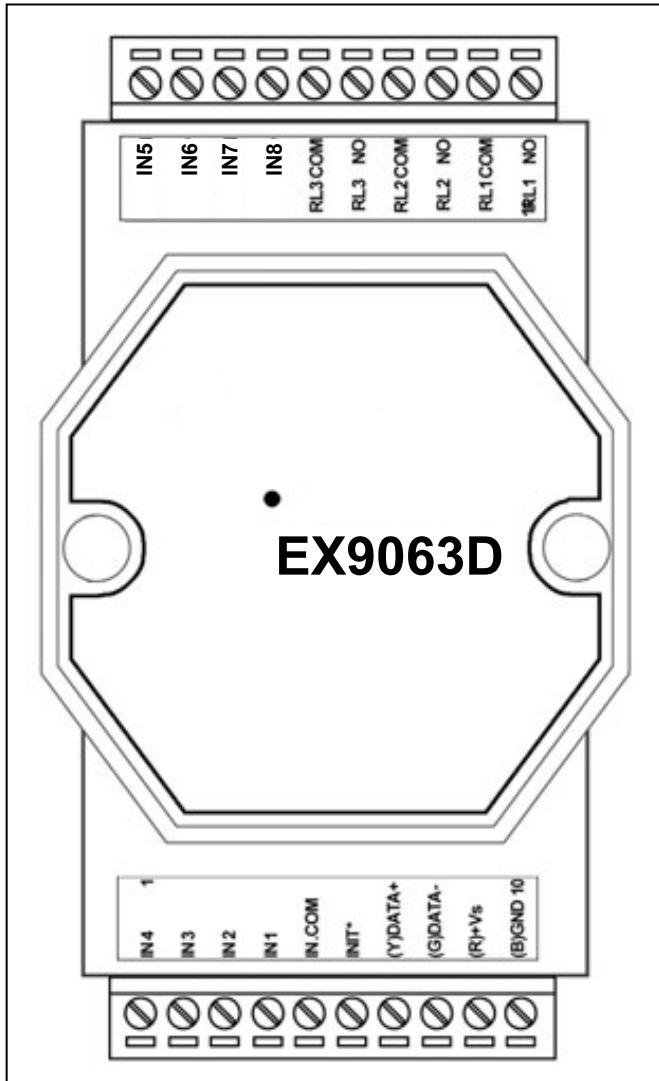
Introduction.....	2
Table of Contents.....	3
Graphical view.....	4
Pin Assignment.....	5
Default Settings	6
LED Indicator	6
INIT* Pin Operation (Configuration mode).....	7
Wire Connections	8
Open Collector signal input:.....	8
TTL/CMOS signal input:.....	8
Dry contact signal input:.....	9
Relay Outputs:	9
Technical Specifications.....	10
Appendix A – Using the module as I/O extension in the RTCU IDE.....	11

Graphical view



Pin Assignment

The 2 x 10-pins plug-terminals as seen in the following figure allow connecting supply, communication lines and digital inputs/outputs. Please refer to the following table for pin names and their function.



Pin	Name	Description
1	IN4	Digital input 4
2	IN3	Digital input 3
3	IN2	Digital input 2
4	IN1	Digital input 1
5	IN COM	Digital Common input
6	INIT*	Pin for initialization of the configuration routine
7	(Y)DATA+	RS485+ data signal
8	(G)DATA-	RS485- data signal
9	(R)+VS	(+) Supply. Please refer to the specification for correct voltage level
10	(B)GND	Supply ground.
11	RL1 NO	Relay 1 Normally Open

Pin	Name	Description
12	RL1COM	Relay 1 Common
13	RL2 NO	Relay 2 Normally Open
14	RL2COM	Relay 2 Common
15	RL3 NO	Relay 3 Normally Open
16	RL3COM	Relay 3 Common
17	IN8	Digital input 8
18	IN7	Digital input 7
19	IN6	Digital input 6
20	IN5	Digital input 5

Please refer to the section "Wire Connections" for correct wiring to the external device/sensor.

Default Settings

Name	Description
Baud rate	9600
Data bits	8
Parity	None
Stop bit	1
Device address	1

These settings can easily be changed in RTCU IDE. Please refer to "Appendix A – Using the module as I/O extension in the RTCU IDE" for details.

LED Indicator

The EX9065 is provided with a system LED to indicate power, and LEDs to indicate state of their respective inputs/outputs. In the following table description of the different states of the LEDs can be found:

Name	Pattern	Description
System	ON	Power on
	OFF	Power off
Inputs	ON	Input is HIGH*
	OFF	Input is LOW*
Outputs	ON	Relay is open (no connection)
	OFF	Relay is closed

Please refer to the wiring scheme for correct indication

Please note that the inputs are internally pulled up, and will therefore appear high when not connected or idle.

INIT* Pin Operation (Configuration mode)

The module has a build-in EEPROM to store configuration information such as address, type, baud rate and other information. Sometimes a user may forget the configuration of the module, or simply need to change it. Therefore, the module has a special mode named "**INIT mode**" to allow the system to change the configuration. To enable INIT mode, please follow these steps:

1. Power off the module.
2. Connect the INIT* pin to the GND pin.
3. Power on the module.

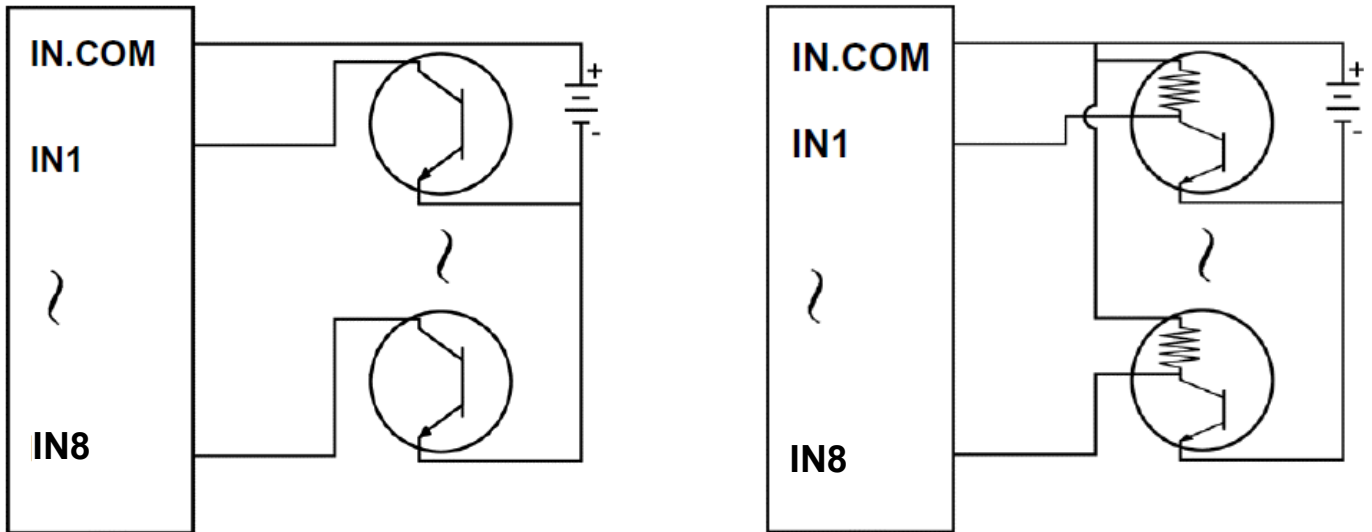
The module is now ready to be configured, afterward remove the power.

When using the RTCU IDE to change the setting, select "setup module" from the right-click menu of the node in "I/O – Extension" tree, and a guide will go through each step of the configuration process. Please refer to the RTCU IDE on-line help for further information.

Wire Connections

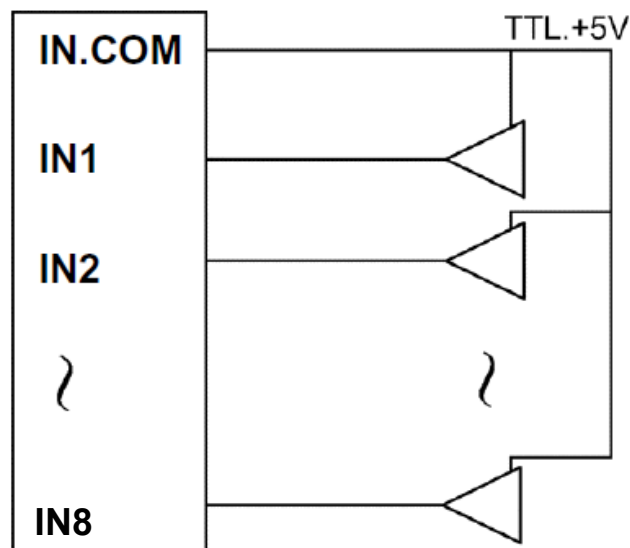
Open Collector signal input:

When connecting open collector signals into the digital inputs please follow one of the wiring schemes below:



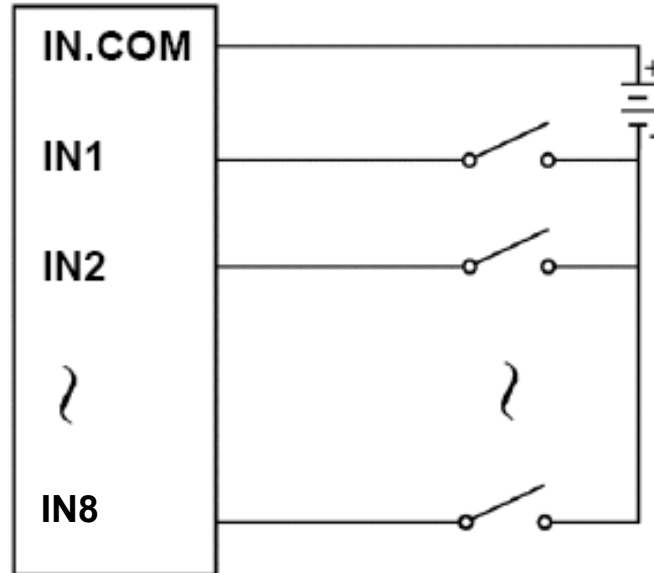
TTL/CMOS signal input:

When connecting a device with TTL/CMOS outputs to the EX9063D please follow the wiring scheme:



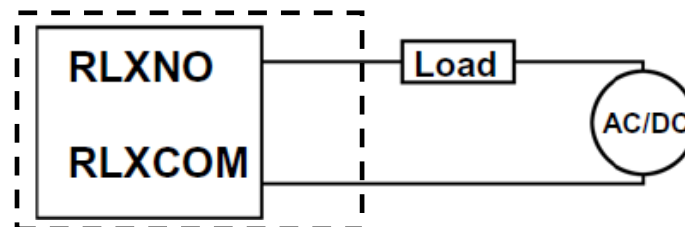
Dry contact signal input:

When connecting dry contact signals to the input of the module please follow the wiring scheme below:



Relay Outputs:

When connecting a device to the relay outputs please follow the wiring scheme below:



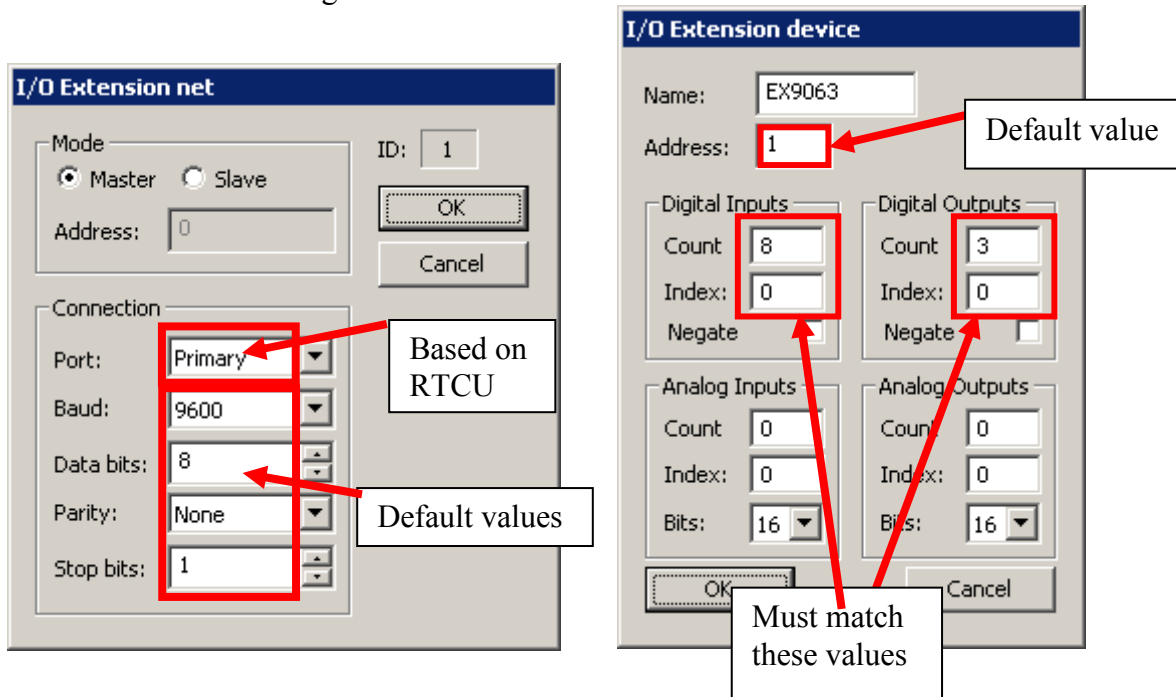
Technical Specifications

Output Channels • Relay Type • Contact Rating • Surge Strength • Operate Time • Release Time	3 Form A 5A @ 250 VAC 5A @ 30 VDC 4000 V 6 ms max 3 ms max
Input Channels • Isolation • Isolation Voltage • Digital Level 0 • Digital level 1 • Input Impedance	8 Isolation with Common Source 3750 Vrms +1 V max +4 V to +30 V 3K Ohms
Power Input	+10 VDC to + 30 VDC
Power Consumption	1,5 W
Operating Temperature	-25 ~ 75°C

Appendix A – Using the module as I/O extension in the RTCU IDE

To be able to use the MODBUS I/O Expansion module as an I/O extension, the RTCU IDE project needs to be configured correctly, by entering the correct parameters for the expansion module into the “I/O Extension device” dialog¹.

The following figure shows the correct setting for an EX9063D connected to the RS485_1 port on a RTCU DX4 with default settings:



To change the above mentioned default values, new values must be entered and transferred to the module².

Values in the “I/O Extension net” must be set according to communication between the module and the RTCU unit, the port numeration follows the principles of the serOpen function, which is described in the IDE online help. When changing baud, data bit(s), parity or stop bit(s) all units on the net must be reconfigured³.

The address field is per default “1”; if more modules are connected to same net each must have a unique address. Changing the address of a module is done, by selecting the new value and then reconfigure the module.

A close attention must be paid to the Count, Index in the “Digital Inputs” section, which must be 8 and 0, and in the “Digital Outputs” section which must be 3 and 0 respectively, else will communication with the module fail. Optional all readings or writings can be inverted by selecting “Negate”.

¹ Please refer to the RTCU IDE online help for creating and editing I/O extension

² Please see “Project Control - I/O Extension” in the IDE online help.

³ To reconfigure: right click the device in the IDE and select “setup module”, and then follow the guide.