

Datasheet for  
**RT-O-LTE-GN-1AB**  
Combined GNSS and LTE antenna.



This compact combined **cellular** and **GNSS** antenna supports the frequencies of **LTE/UMTS/GSM** and **GPS/GLONASS/GALILEO**. Comes with **SMA(male)** for **cellular** and **SMB(female)** for **GNSS**.

## Electrical Characteristics

### Dielectric (GNSS) Antenna

Item	Specifications	Post Environmental Tolerance
Center Frequency (CF)	L1: 1575.42 MHz L2: 1602.00 MHz	± 1 MHz ± 1 MHz
Band Width	CF ± 5 MHz	-
V.S.W.R	< 1.5	-
Gain (Zenith)	2 dBic (max)	-
Polarization	RHCP	-
Impedance	50 Ω	-

### Cellular Antenna

Item	Specifications	Post Environmental Tolerance
Frequency range	698 MHz ~ 960 MHz / 1710 MHz ~ 2690 MHz	-
V.S.W.R (5m)	< 2.0	-
Gain (Zenith)	2 dBi	-
Impedance	50 Ω	-
Polarization	Linear	-

### LNA/Filter

Item	Specifications	Post Environmental Tolerance
Gain	28 ± 2 dB	± 2 dB
Noise Figure	< 1.5 dB	-
V.S.W.R	< 2.0	-
DC Voltage	2.2 ~ 5 V	
DC Current	5 ~ 15 mA	

### Mechanical Specifications

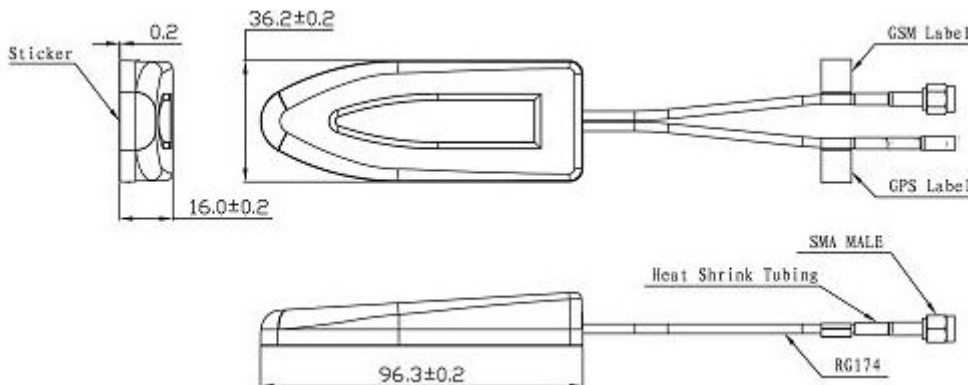
Item	Specifications
Cable	RG174, 3 meters
Material	ABS
Connector	SMB female for GNSS / SMA male for Cellular
Plastic Housing	Black.
Mounting	Adhesive Sticker

### Environmental Specifications

Item	Specifications
Relative Humidity Range	Up to 95 % RH
Operating Temperature Range	-40 °C ~ +85 °C
Vibration	10 to 55 Hz with 1.5 mm amplitude 2 hours
Environmentally Friendly	ROHS Compliant

### Dimensions (Unit : mm)

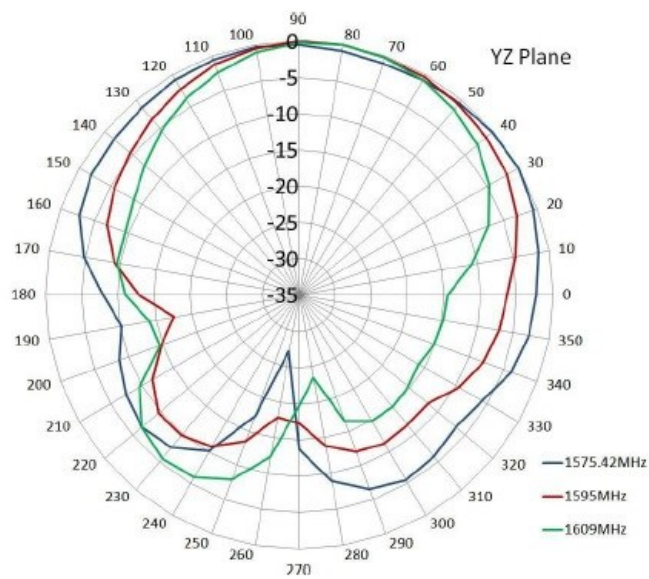
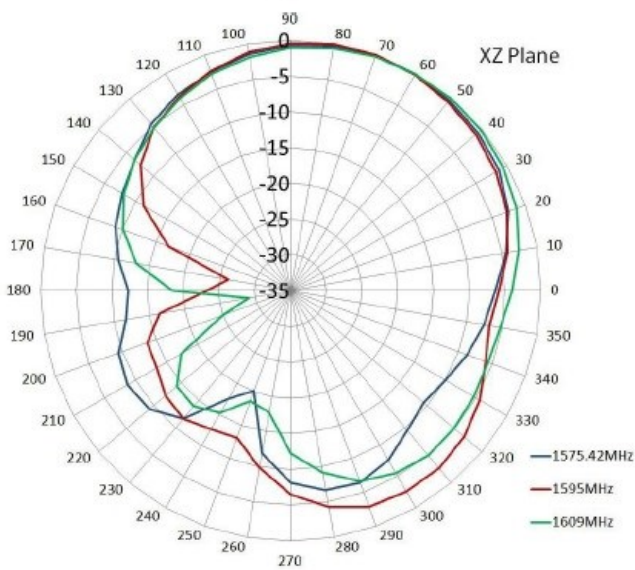
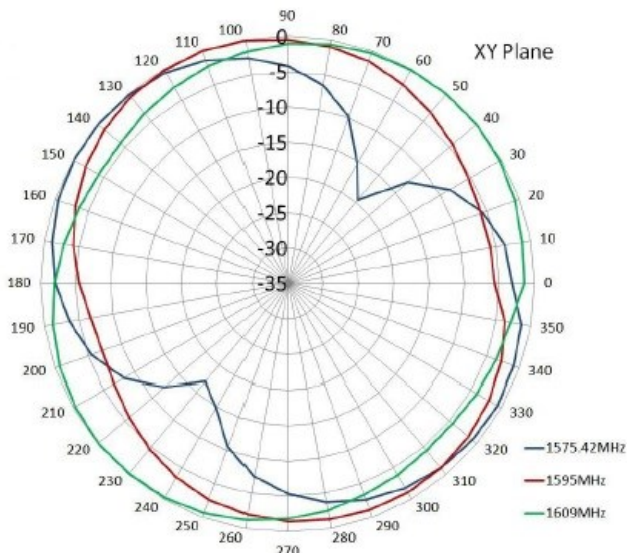
Size 96.3mm x 36.2mm x 16 mm



### Installation:

The upper side of the antenna – opposite to the adhesive side - must face the sky.  
For indoor use only.

**Radiation Pattern:**  
GNSS Antenna



### Cellular Antenna

